



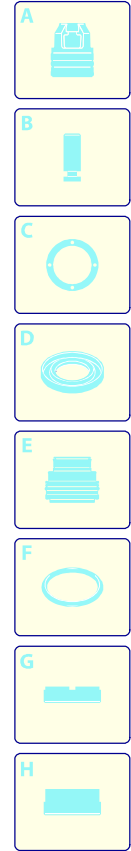
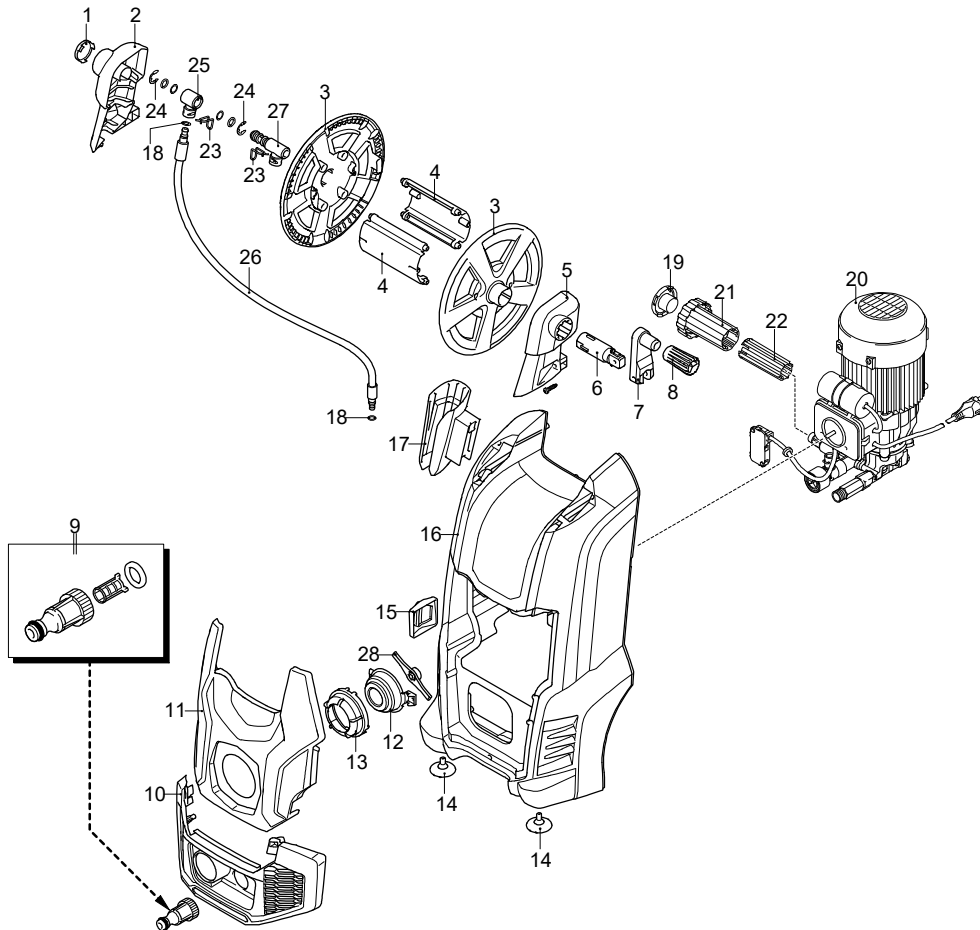
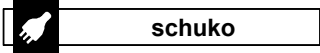
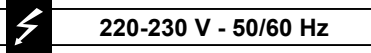
Model 7.0 DUAL POWER

Version:

Serial number:

Code: **15343**

07/12/2021



Validity	Pos.	Code	Description	Q
	1	4820410	Cover	1
	2	4580540	Bracket	1
	3	4101770	Plate	2
	4	4101730	Support	2
	5	4580550	Bracket	1
	6	4101750	Hub pin	1
	7	4101660	Lever	1
	8	4101673	Knob	1
	9	3082130	Water coupling kit	1
	10	4581250	Guard	1
	11	4581240	Guard	1
	12	4581190	Base	1
	13	4581200	Guard	1
	14	4381640	Rubber foot	2
	15	4580630	Lock	1
	16	4580500	Casing	1
	17	4580590	Accessories carrier	1
	18	4382520	O-ring	2
	19	4580740	Plug	1
	20	4580110	Electric pump assembly	1
	21	3560420	Knob	1
	22	3560430	Extension	1
	23	4101520	Fork	2
	24	4101710	Ring	2
	25	4101760	Fitting	1
	26	4381240	High pressure hose	1
	27	4581020	Fitting	1
	28	4581210	Lever	1

UN_CE_3108-NJ



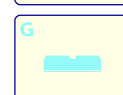
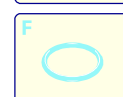
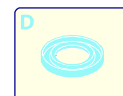
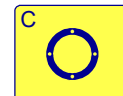
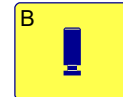
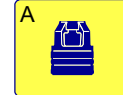
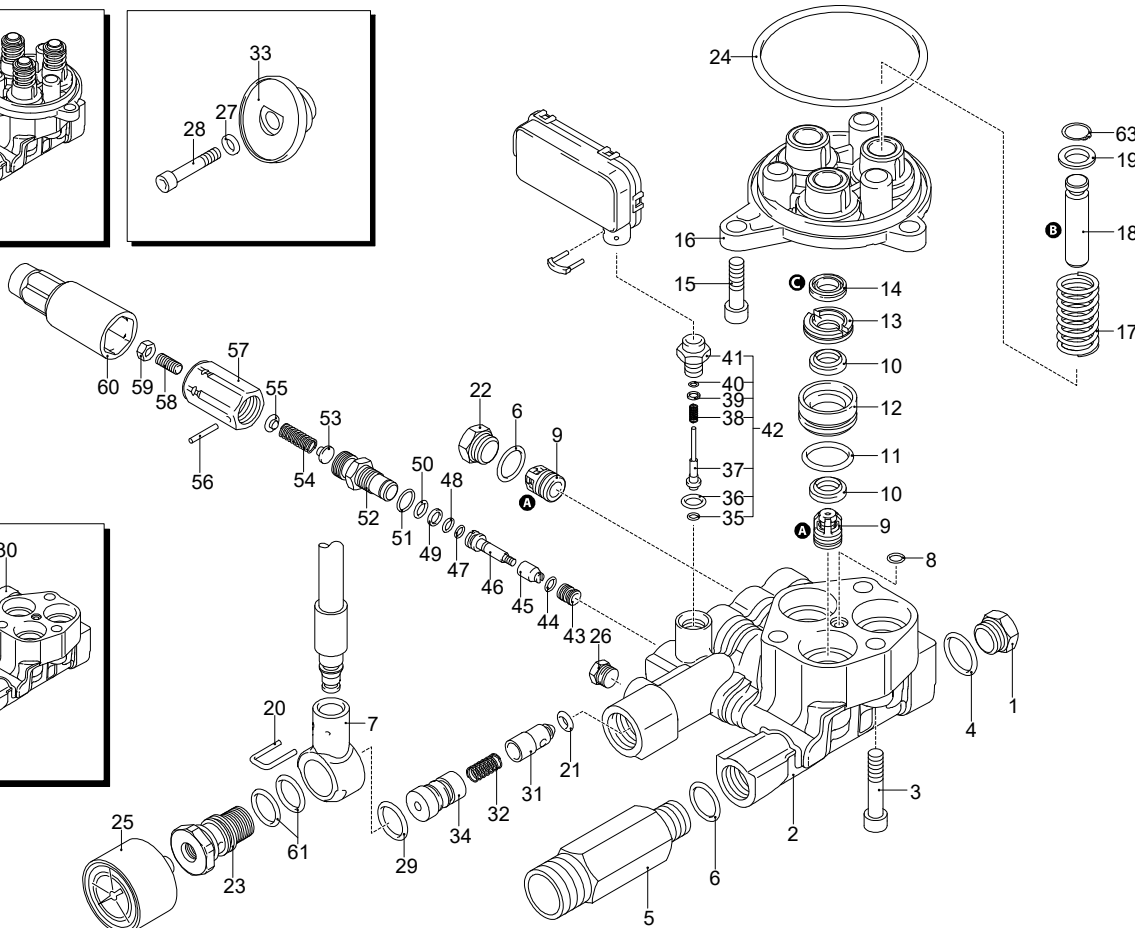
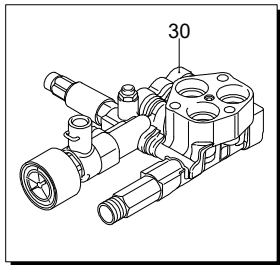
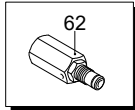
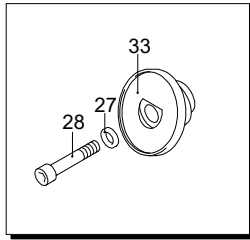
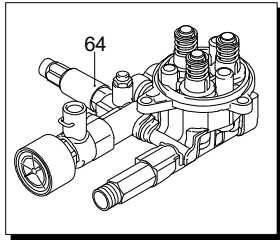
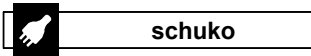
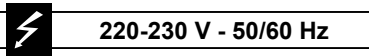
Model 7.0 DUAL POWER

Version:

Serial number:

Code: **15343**

07/12/2021



Validity	Pos.	Code	Description	Q
	1	3720730	Plug	1
	2	3401220	Head	1
	3	800220	Screw	3
	4	820510	O-ring	1
	5	3401000	Fitting	1
	6	2841520	O-ring	4
	7	3960430	Fitting	1
	8	480480	O-ring	1
	9	2849051	Complete valve	6
	10	3800140	Gasket	6
	11	4140510	O-ring	3
	12	4140490	Bushing	3
	13	2840540	Bushing	3
	14	1683500	Oil seal	3
	15	2900500	Screw	4
	16	3401110	Piston guide	3
	17	2901170	Spring	3
	18	3800080	Piston	3
	19	3800400	Ring	3
	20	4240270	Fork	1
	21	1460431	O-ring	1
	22	2841530	Plug	3
	23	3960440	Plug	1
	24	3040270	O-ring	1
	25	43456	Pressure gauge	1
	26	620301	Plug	1
	27	3081750	Washer	1
	28	3081950	Screw	1
	29	2840890	O-ring	1
	30	47055	Head assembly	1
	31	2901070	Shutter	1
	32	3780450	Spring	1
	33	3400600	Wobble plate	1
	34	3401100	Injector	1
	35	1120680	O-ring	1
	36	600180	O-ring	1
	37	2022040	Pin	1
	38	2021630	Spring	1
	39	2021650	Washer	1
	40	1260820	O-ring	1
	41	1344830	Fitting	1
	42	42580	TSS Retrofit kit	1
	43	2901270	Seat	1
	44	600180	O-ring	1
	45	1460151	Piston	1
	46	2021900	Piston	1
	47	1080190	O-ring	1
	48	600180	O-ring	1
	49	1080401	Ring	1
	50	820510	O-ring	1
	51	740290	O-ring	1
	52	1344870	Piston guide	1
	53	1343450	Wobble plate	1
	54	1460190	Spring	1
	55	1980220	Plate	1
	56	1080070	Pin	1
	57	1344881	Insert	1
	58	1980470	Screw	1
	59	1060120	Nut	1
	60	4240530	Knob	1
	61	1200690	O-ring	2
	62	42709	Valve kit adjustment	1

UN_CE_3109-NJ



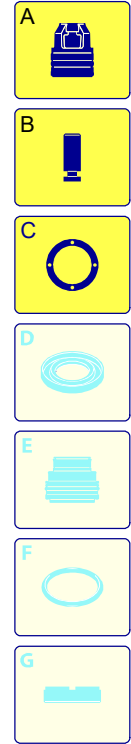
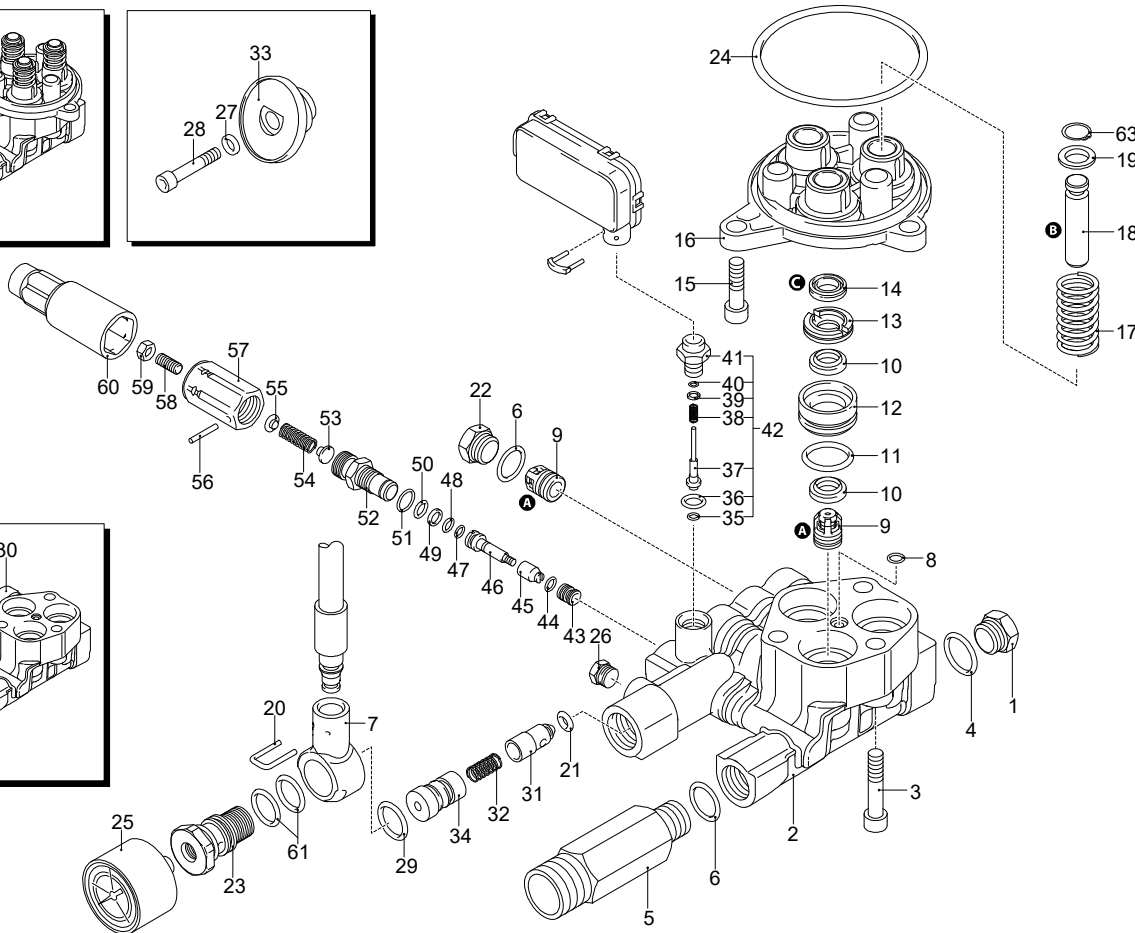
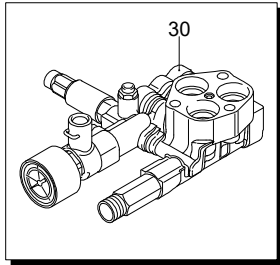
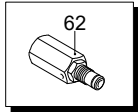
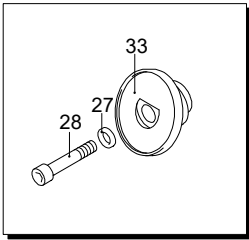
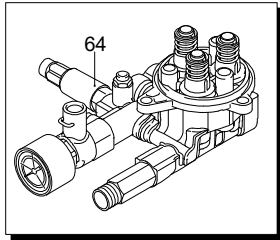
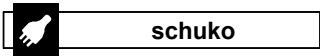
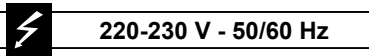
Model 7.0 DUAL POWER

Version:

Serial number:

Code: **15343**

07/12/2021



Validity	Pos.	Code	Description	Q
	63	2360320	Ring	1
	64	47056	Pump assembly	1
	A	2233	Valve kit	1
	B	42950	Piston kit	1
	C	42951	Oil seal kit	1

UN_CE_3109-NJ



Model 7.0 DUAL POWER

Version:

Serial number:

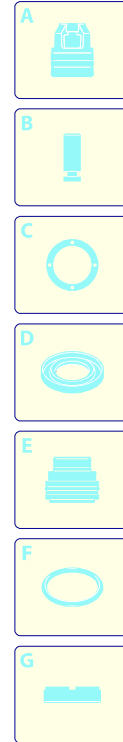
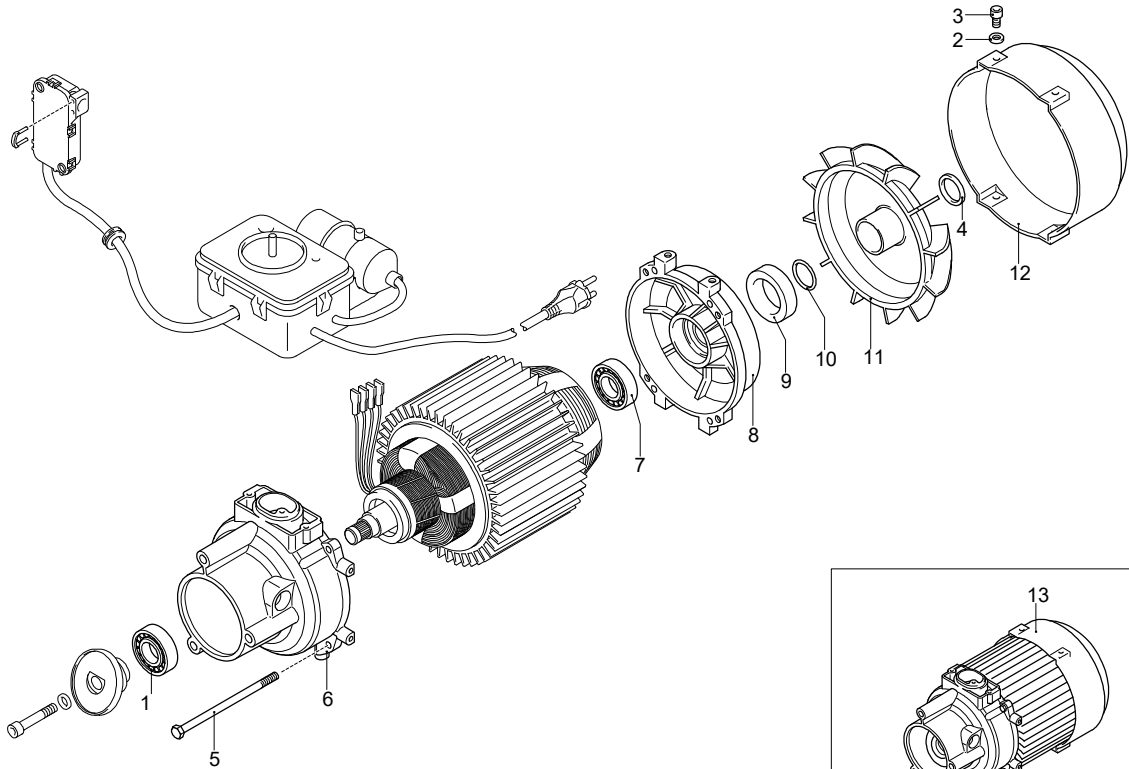
Code: **15343**

07/12/2021

220-230 V - 50/60 Hz

schuko

Validity	Pos.	Code	Description	Q
	1	3400800	Bearing	1
	2	1680960	Washer	2
	3	1460460	Screw	2
	4	3441000	Ring	1
	5	2320090	Screw	4
	6	4380400	Pump body	1
	7	1460590	Bearing	1
	8	4380410	Shield	1
	9	1461200	Oil seal	1
	10	394280	O-ring	1
	11	3440370	Fan	1
	12	4380820	Fan cowling	1
	13	4381930	Motor	1





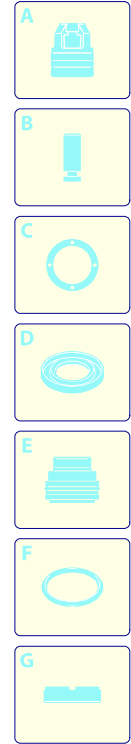
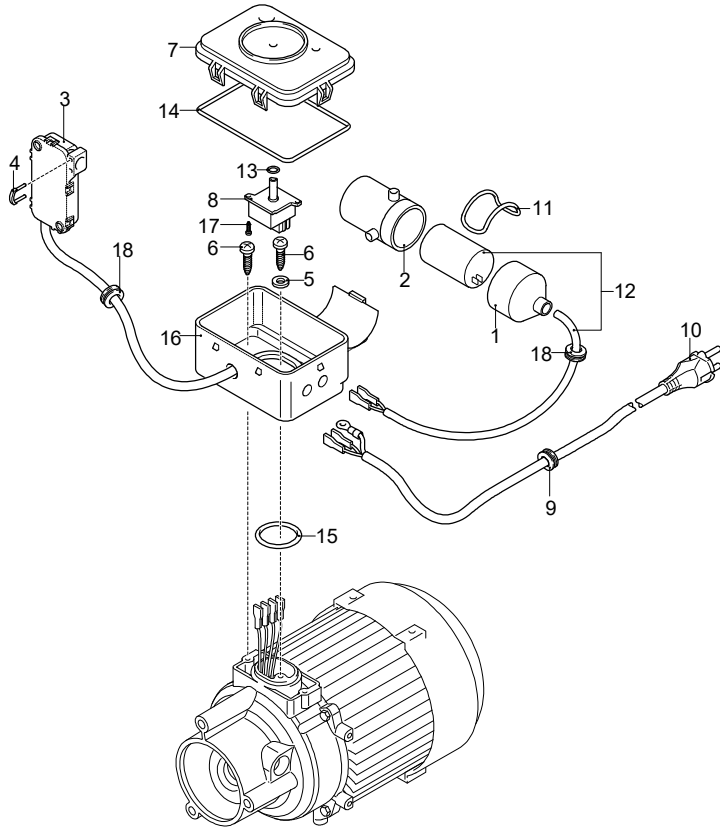
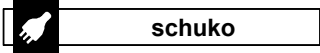
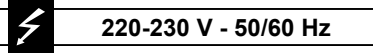
Model 7.0 DUAL POWER

Version:

Serial number:

Code: **15343**

07/12/2021



Validity	Pos.	Code	Description	Q
	1	4382450	Guard	1
	2	4382440	Capacitor carrier	1
	3	46073	TSS box assembly	1
	4	2022201	Fork	1
	5	1262400	Washer	1
	6	2020570	Screw	3
	7	4380840	Cover	1
	8	4382540	Switch	1
	9	2021480	Gland	1
	10	4240690	Cable	1
	11	2320640	O-ring	1
	12	3401010	Capacitor	1
	13	390341	O-ring	1
	14	2180670	O-ring	1
	15	660170	O-ring	1
	16	4380830	Box	1
	17	2000210	Screw	2
	18	2021480	Gland	2



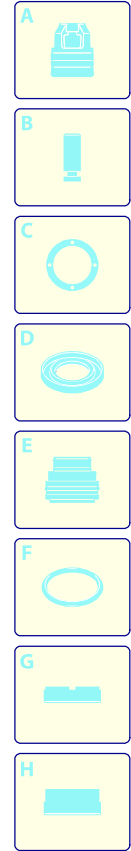
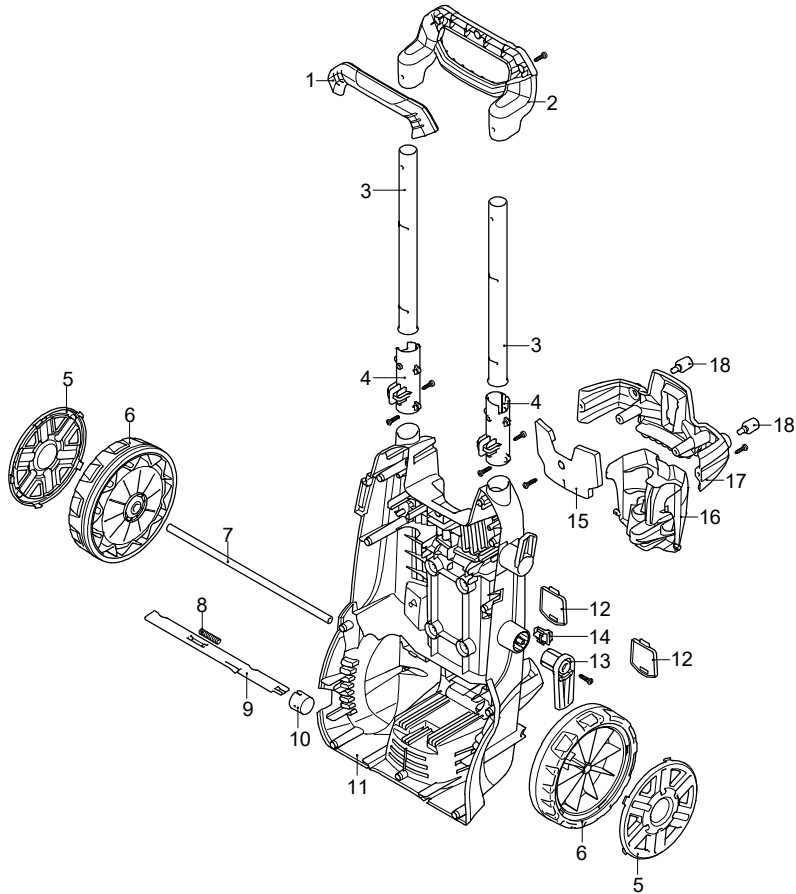
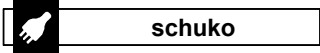
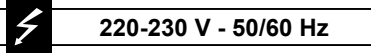
Model 7.0 DUAL POWER

Version:

Serial number:

Code: **15343**

07/12/2021



Validity	Pos.	Code	Description	Q
	1	4580610	Knob	1
	2	4580600	Handle	1
	3	4580770	Pipe	2
	4	4821080	Guide	2
	5	4381631	Guard	2
	6	4381100	Wheel	2
	7	4580880	Axle	1
	8	4821020	Spring	1
	9	4821110	Hook	1
	10	4220271	Lever	1
	11	4580560	Base	1
	12	4580570	Cover	2
	13	4220280	Accessories carrier	1
	14	4100180	Lever	1
	15	4580780	Guard	1
	16	4580760	Accessories carrier	1
	17	4580620	Accessories carrier	1
	18	2180330	Rubber foot	2




Model 7.0 DUAL POWER


Version:

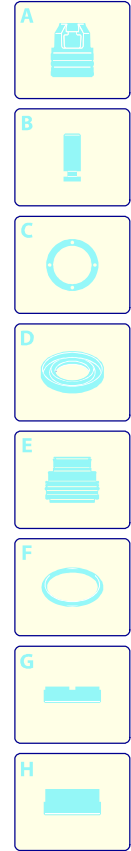
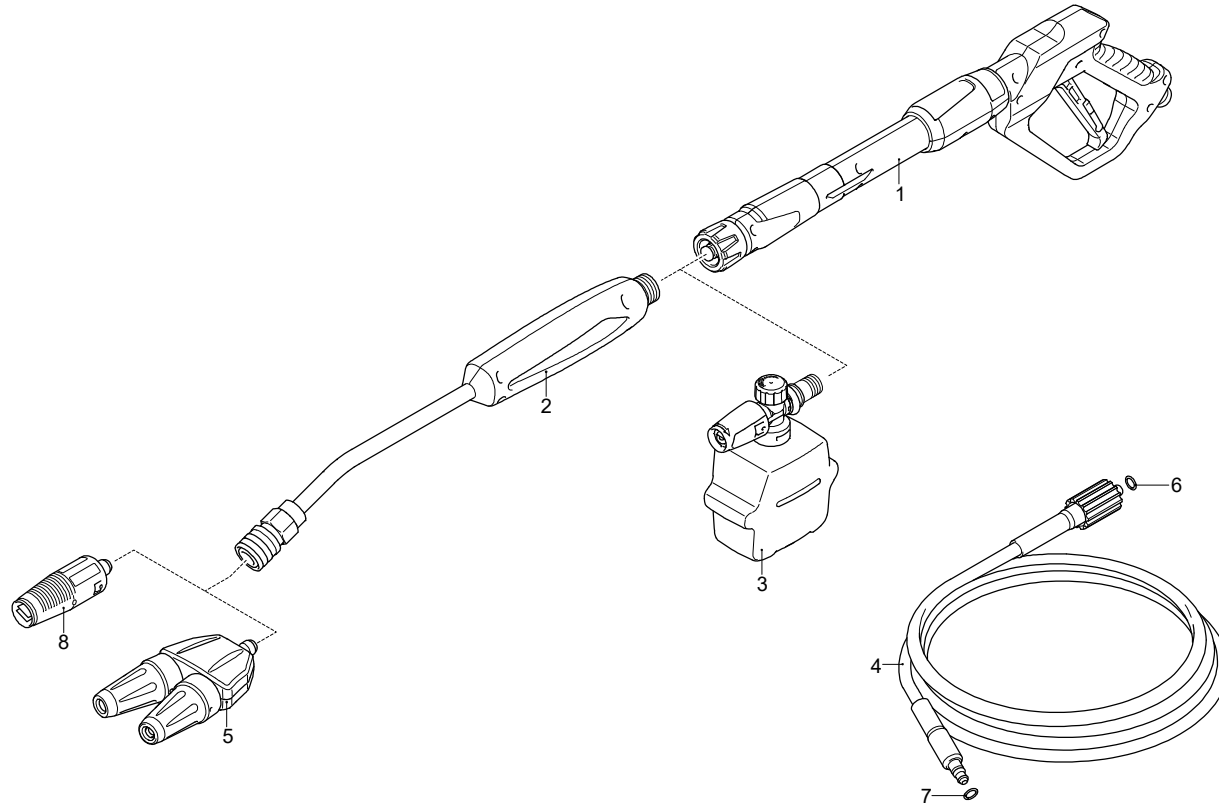
Serial number:

Code: **15343**

07/12/2021

 220-230 V - 50/60 Hz

 schuko



Validity	Pos.	Code	Description	Q
	1	47038	Gun	1
	2	4581720	Lance	1
	3	4581160	Tank	1
	4	4581170	High pressure hose	1
	5	4581740	Rotopower head	1
	6	3083380	O-ring	1
	7	3083390	O-ring	1
	8	4581730	Lance head	1

UN_CE_3110-NJ